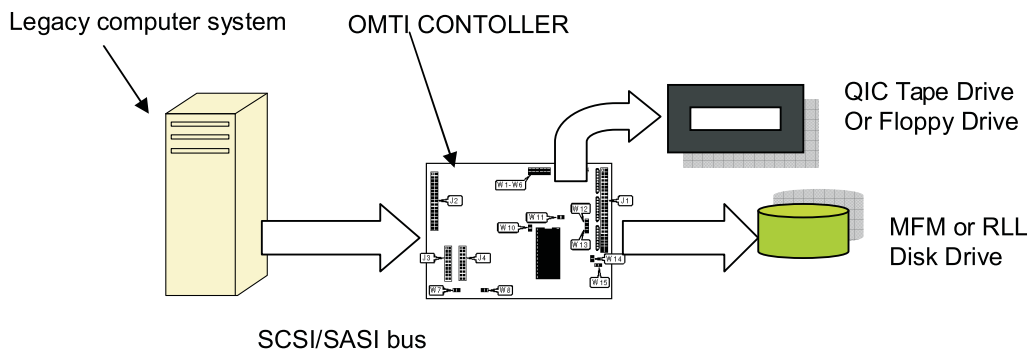
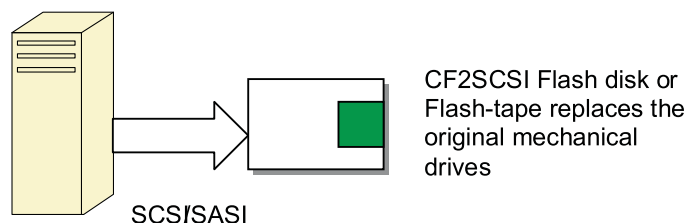


Tape & Disk replacements for Legacy systems that use the OMTI or Xebec controllers ACCOUNT

With Legacy Computer systems that used the Scientific Microsystems OMTI or Xebec controllers to connect tape & disks problems can often arise when replacing the old or worn out tape and disk drives. Replacing and repairing old SCSI disk and SCSI QIC drives can be problematic. The CF2SCSI disk and Flash-Tape can solve these issues. It replaces the moving parts of a tape drive and disk drive with a low cost rugged Flash card , while emulating the legacy Disk or QIC drive to the Host on its SCSI bus.

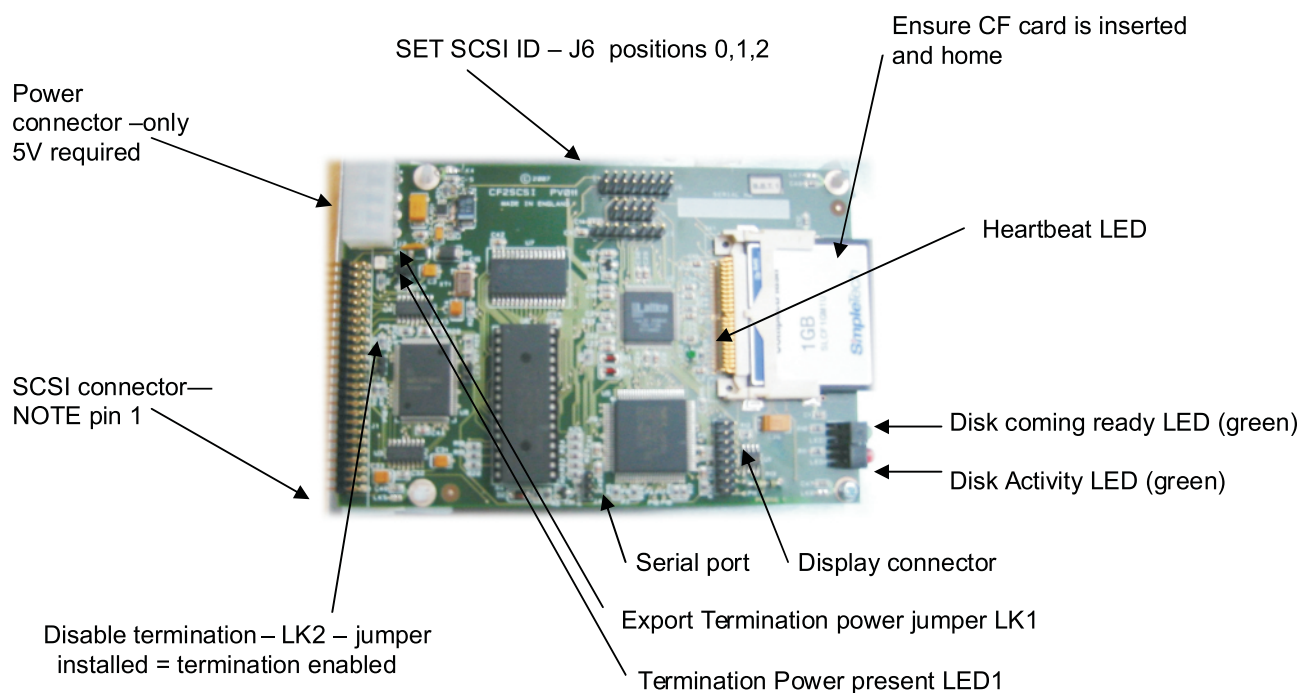


Replace the OMTI subsystem with the CF2SCSI Flash Drive



Features

- CF2SCSI can emulate any disk or tape drive.
- Compact Flash Card can be removed and read into a Windows PC for analysis or backup purposes.
- 3.5 inch form factor
- Standard 50 pin SCSI1/2 interface
- 10 Mbytes/sec SCSI burst rate
- Internal active SCSI termination, disabled/enabled by jumper
- Optional HVD SCSI interface
- Compatible with most CF cards
- Various emulations available.- SCSI2/SCSI1 or SASI
- Can emulate a standard SCSI tape drive—DAT/DLT or 3490 etc – consult the factory



Specifications

Power:	5V only required. Uses standard molex type disk connectors
Dimensions:	3.5" form factor.-- Will mount in the Rosemount Chassis using 5.25" adapter rails
SCSI:	LVD/SE - 50 pin SCSI compatible with the existing Legacy cables.
Disk & tape Capacity:	defined by the Compact Flash (CF) card -- typically 2GB each
Transfer Rate:	10 Mbytes/sec
Shipping weight:	0.5 Kg (Desktop unit)

Contact: sales@reactive-group.com